
Cottage Shadow Box Plan



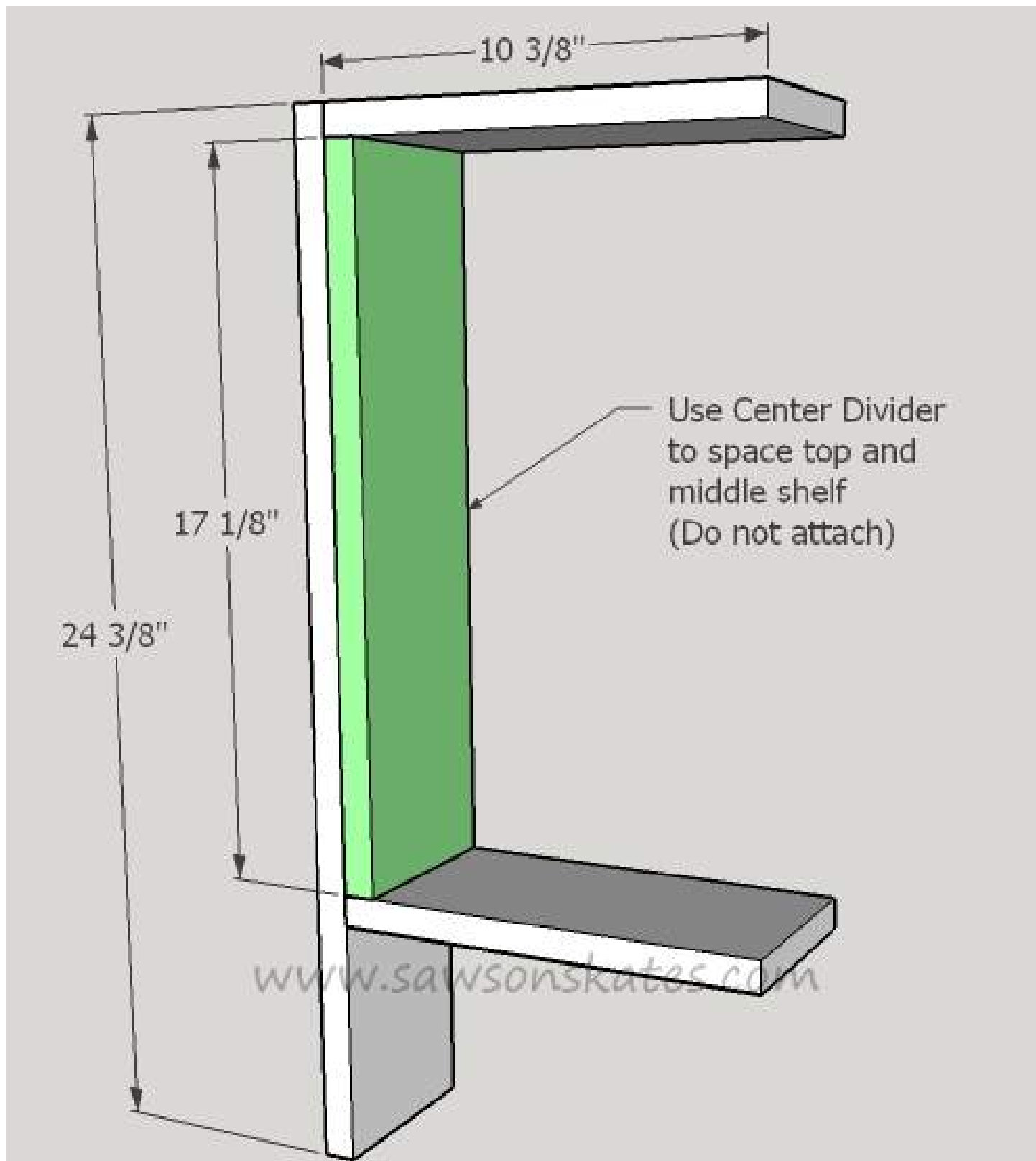
Supplies

1×4 (approximately 9')
1-1/4" finish nails
#8 1-1/4" wood screws
Wood glue

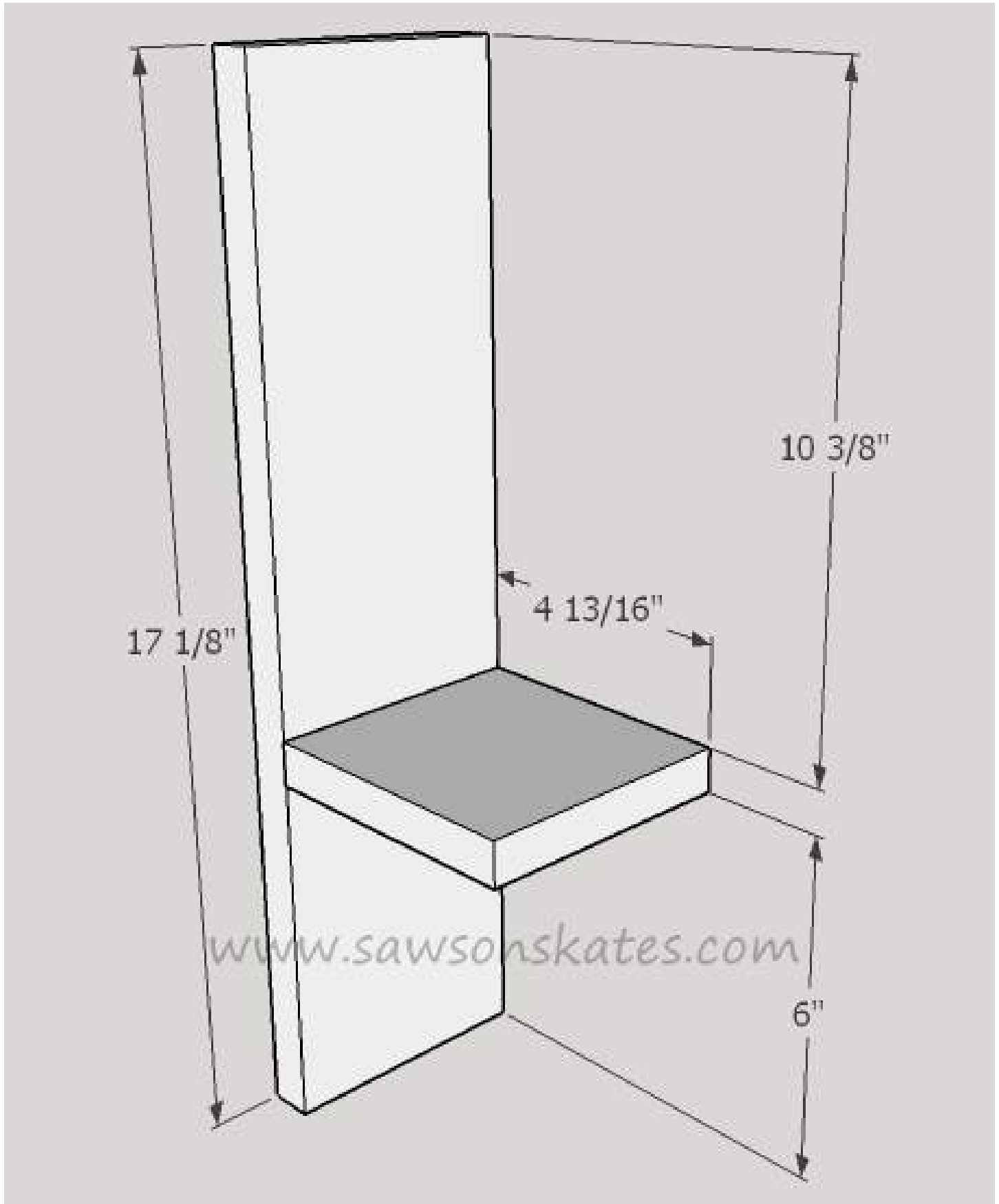
Tools

Miter saw
Hammer or nail gun
Drill
Counter sink drill bit

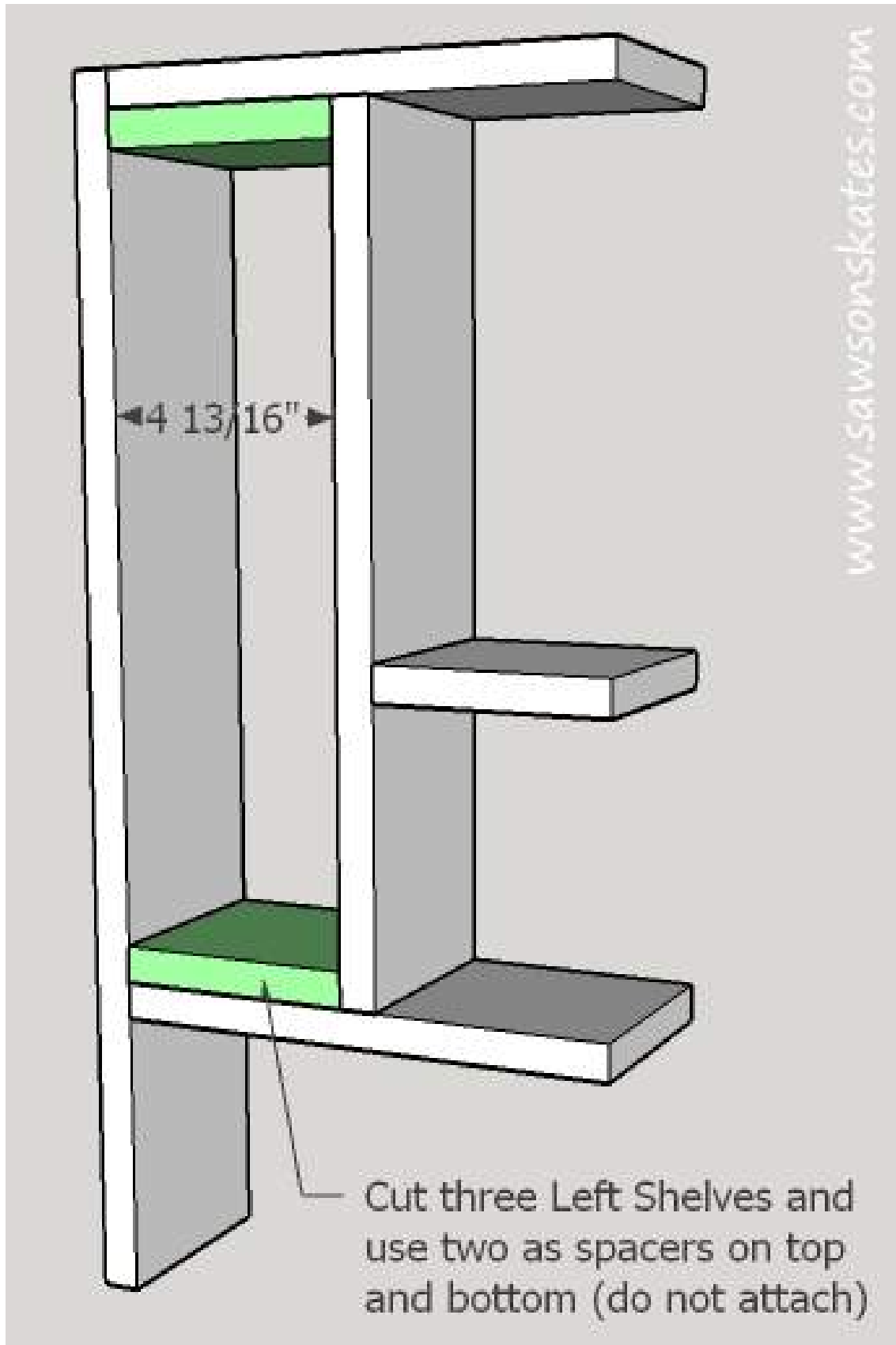
Step 1. Attach Top and Middle Shelf. Cut two sides to 24-3/8", save second side for Step 6. Cut Top, Bottom and Middle shelf to 10-3/8", save Bottom for Step 5. Cut center divider to 17-1/8". Pre-drill holes on side for finish nails (or use nail gun). Attach Top and Middle shelf using glue and finish nails. Note: Use Center Divider only to properly space Top and Middle Shelf (do not attach Center Divider).



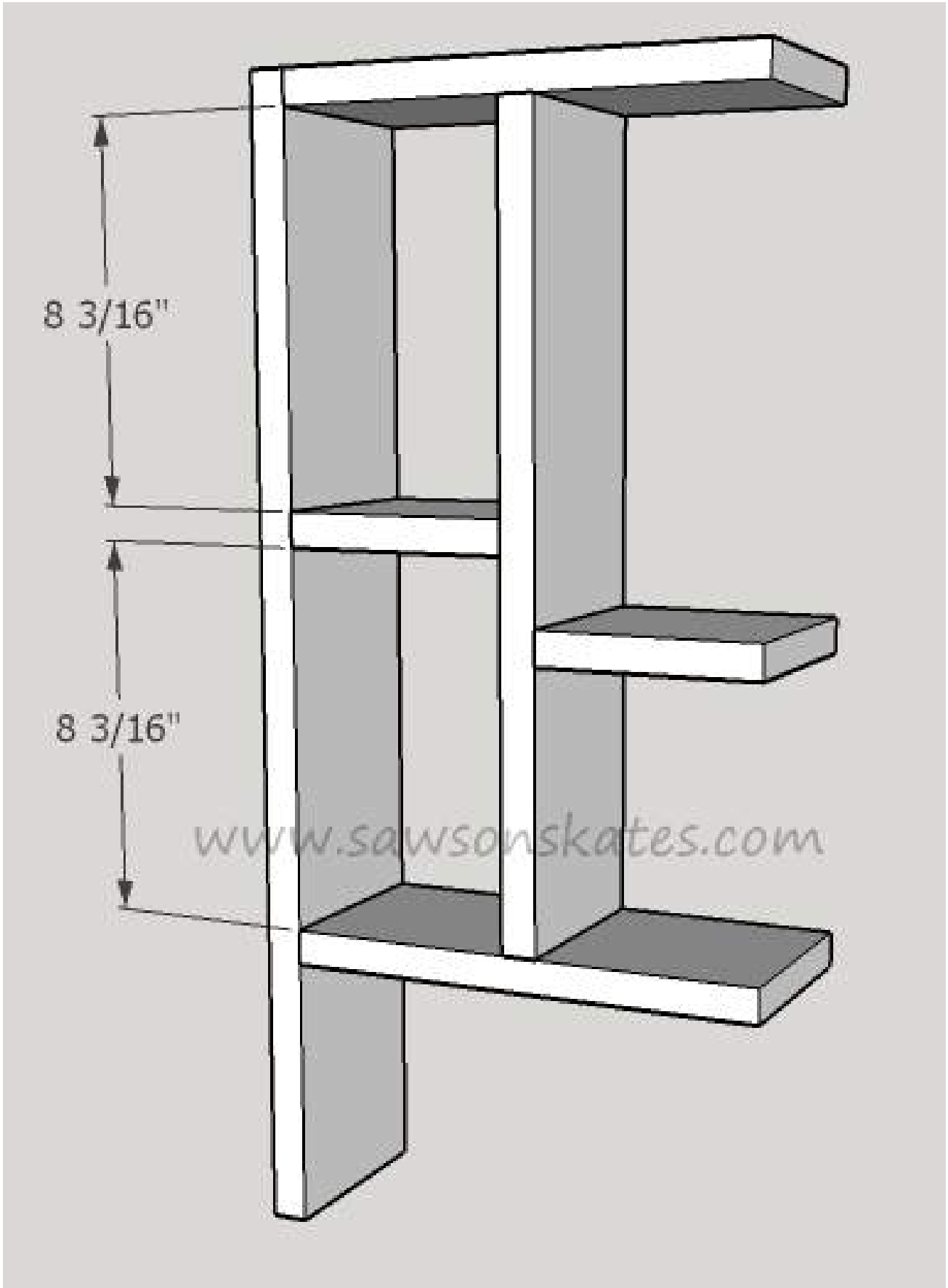
Step 2. Attach Right Shelf. Cut three Small Shelves to $4\text{-}\frac{13}{16}$ " and save two for Step 3. Pre-drill holes for finish nails or use nail gun to attach center shelf. Measure down $10\text{-}\frac{3}{8}$ " from top, position center shelf and attach shelf using glue and $1\text{-}\frac{1}{4}$ " finish nails.



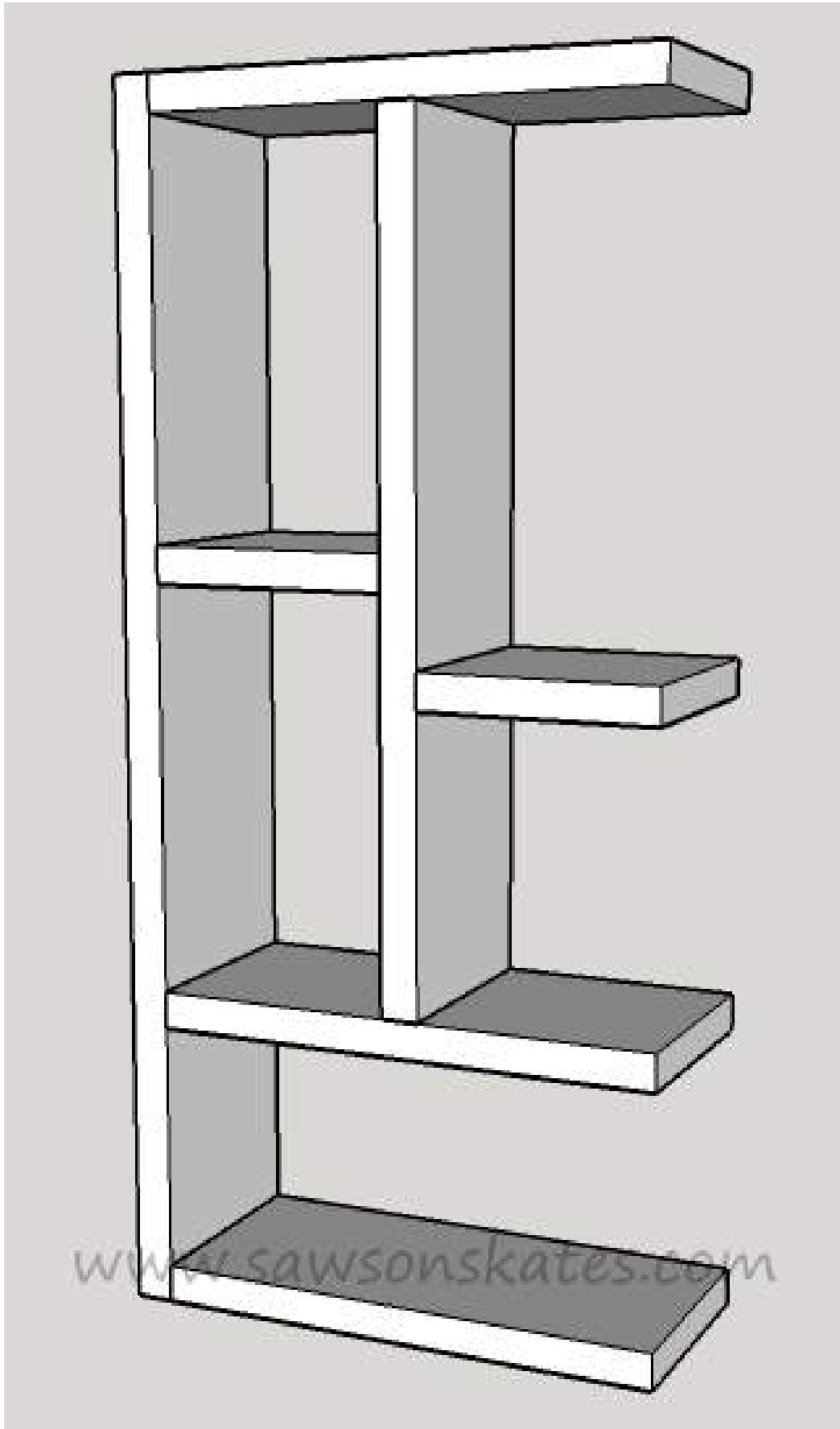
Step 3. Attach Center Divider. Insert two of the small shelves (saved from Step 2) and use them as spacers on the left side, then place center divider in position. Pre-drill counter sink holes on the top and bottom of the Center Divider. Attach Center Divider using glue and wood screws screws. Remove spacers and save one for Step 4.



Step 4. Attach Left Shelf. Use one of the spacers from Step 3 as the left side shelf. Pre-drill holes for finish nails (or use nail gun). Attach shelf using glue and 1-1/4" finish nails.



Step 5. Attach Bottom. Pre-drill holes for finish nails (or use nail gun). Attach bottom using glue and 1-1/4" finish nails.



Step 6. Attach Right Side. Pre-drill holes for finish nails (or use nail gun). Attach right side using glue and 1-1/4" finish nails.

