

---

# DIY Dog Treats Fire Hydrant Container

---



---

## Supplies

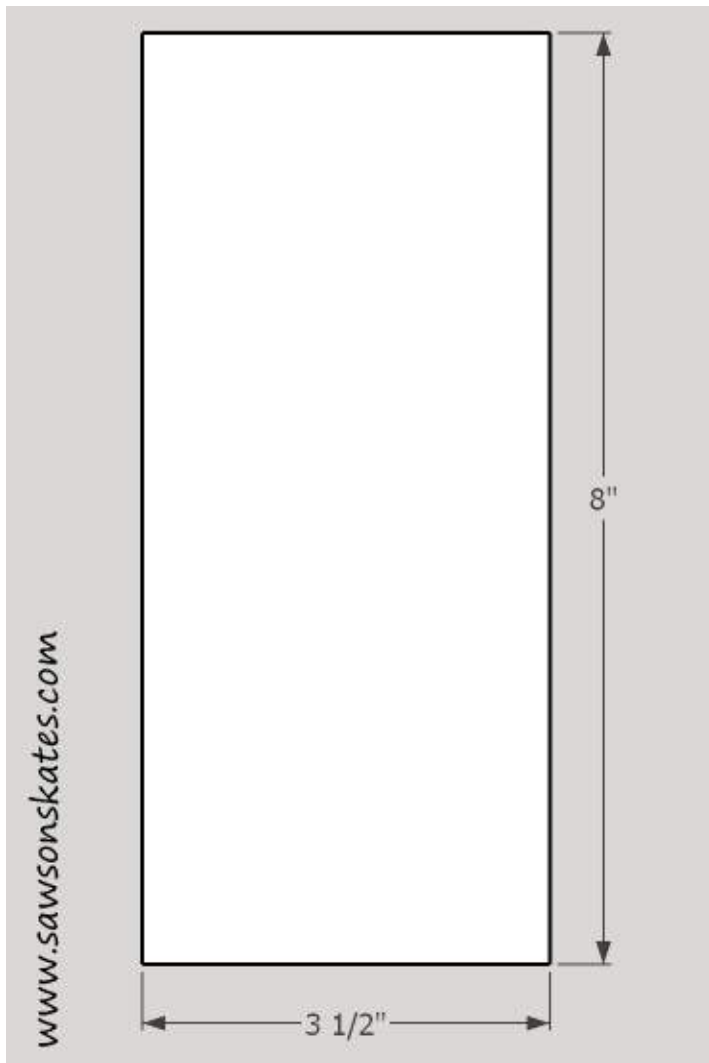
1×2 – 6"  
1×4 – 36"  
1×6 – 22"  
1×8 – 16"  
1-1/4 finish nails  
#8 1-1/4 wood screws  
Sandpaper  
Wood filler

---

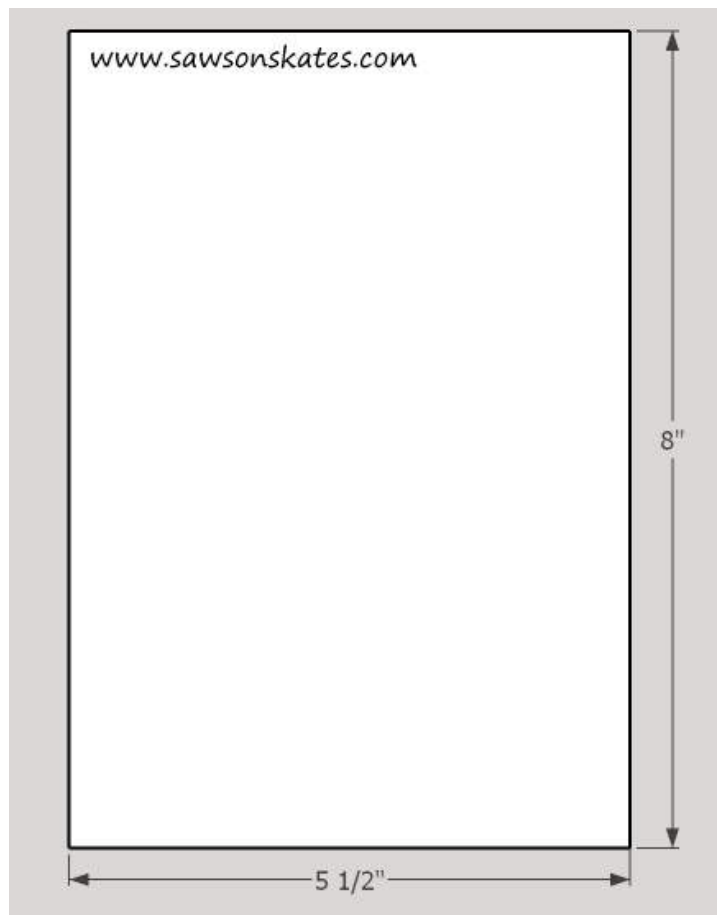
## Tools

Miter saw  
Drill  
Countersink bit  
Hammer or nail gun  
Kreg Multi-Mark Tool

**Step 1.** Cut the Sides. Cut 2 pieces of 1×4 to 8".



**Step 3.** Cut the Front and Back. Cut 2 pieces of 1×6 to 8".



**Step 2.** Cut the Small Bottom. Cut 1 piece of 1×4 to 4".



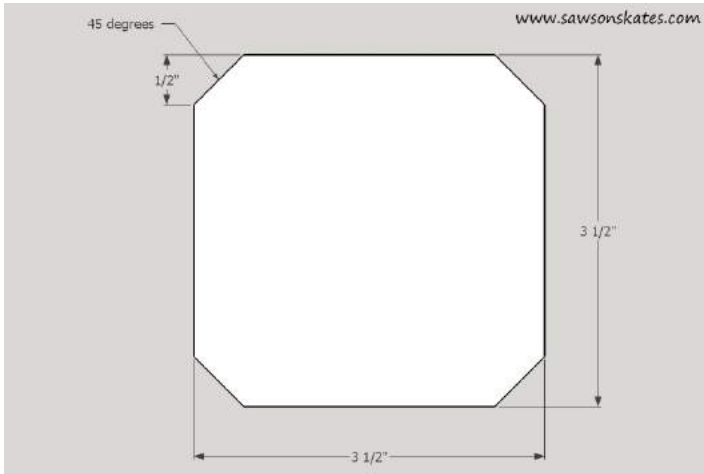
**Step 4.** Assemble the Container Sides. Apply glue to the 3-1/2" sides of the bottom and attach the sides using 1-1/4" finish nails.



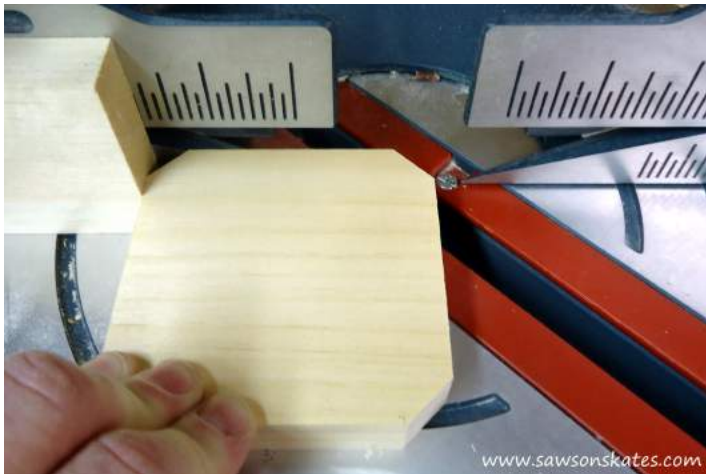
**Step 5.** Attach the Container Front and Back. Apply glue to sides and bottom and attach the front using 1-1/4" finish nails. Repeat for the back.



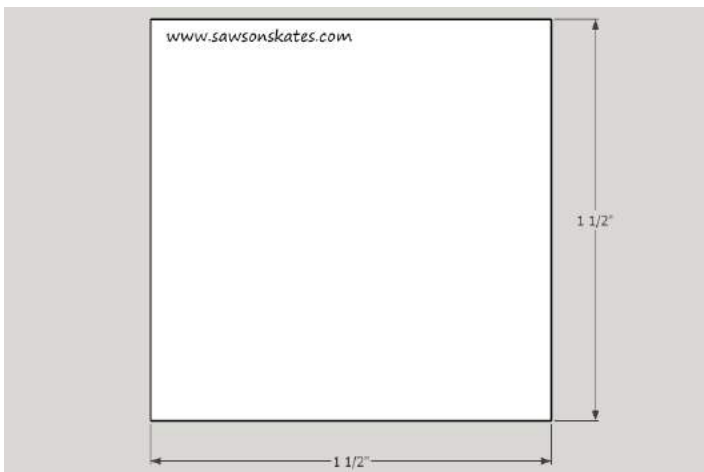
**Step 6.** Cut the Nozzle Bases. Cut 4 pieces of 1×4 to 3-1/2". On all corners, measure in a 1/2" and cut a 45 degree angle. Three pieces will be used on the sides and one will be used as the small top in Step 13.



**Step 8.** Attach the Nozzle Bases. The nozzle bases are set down 1-1/4" from the top. Apply glue, set the Kreg Multi-Mark Tool to 1-1/4", position base and attach using 1-1/4" finish nails. Repeat for the other two sides.



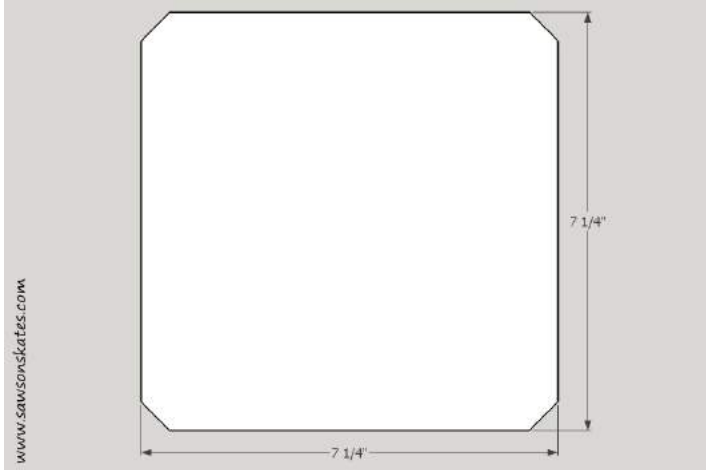
**Step 7.** Cut the Nozzles. Cut 3 pieces of 1×2 to 1-1/2".



**Step 9.** Attach the Nozzles. Apply glue to the nozzle, center on the nozzle base and attach using 1-1/4" finish nails. Repeat for the other two sides.



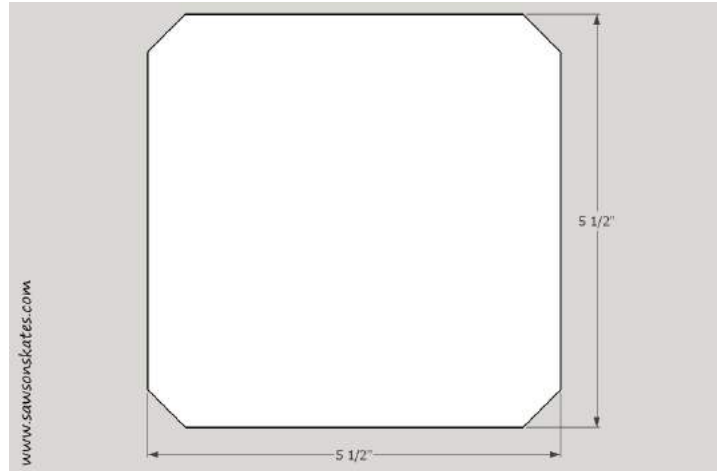
**Step 10.** Cut the Large Top and Bottom. Cut 2 pieces of 1×8 to 7-1/4". Cut 45 degree angles just as you did in Step 6. One piece will be used in Step 11 and one will be used in Step 13.



**Step 11.** Attach the Large Bottom. Apply glue to the large bottom, center on the container, drill counter sink holes and attach using 1-1/4" wood screws.



**Step 12.** Cut the Medium Top. Cut 1 piece of 1×6 to 5-1/2".



**Step 13.** Assemble the Top. Apply glue to the small top (Step 6), center on the medium top (Step 12) continued on next page...



**Step 13 continued.** Attach medium top to small top using 1-1/4 wood screws. Apply glue to the medium top, center the large top (Step 11) and attach using 1-1/4 wood screws.



**Step 12.** Cut the Stopper. Measure the inside dimensions of the container and deduct an 1/8" from each dimension. Cut a piece of wood to this dimension to form a stopper for the neck of the container. Drill a few countersink holes in the stopper. Apply glue to the stopper, center on the bottom of the top and attach using 1-1/4" wood screws.

