
Wine Credenza



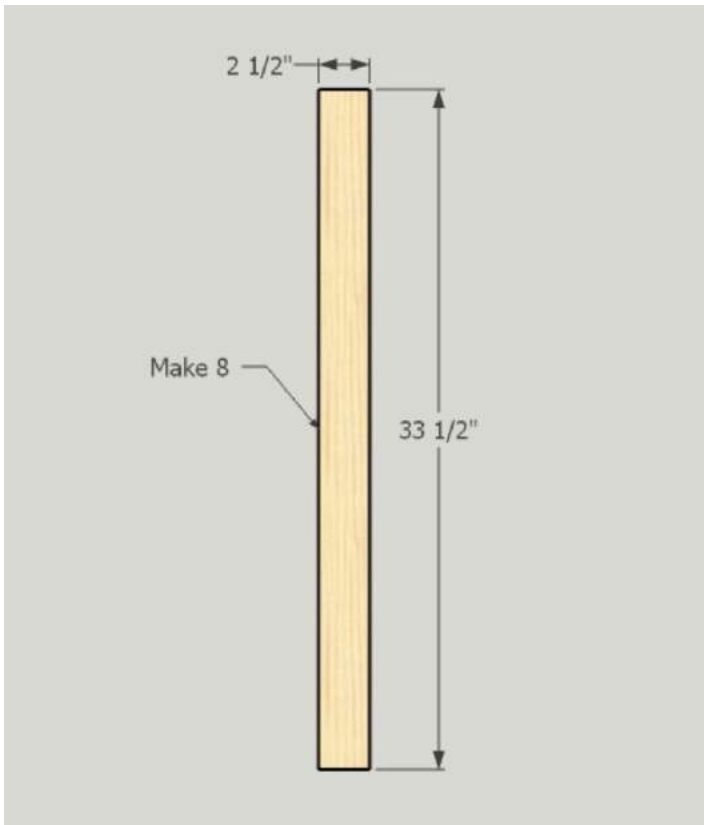
Supplies

- (3) 1x3x8
- (2) 1x4x8
- 1x5 – about 24"
- (1) 5/4x2x6
- (3) 5/4x3x8
- (4) 5/4x4x8
- (1) 24"x24" 1/8" hardboard
- (1) 48"x96" 1/2" plywood
- (1) 48"x96" 3/4" plywood
- 1" brad nails
- 1-1/4" brad nails
- 1-1/4" wood screws
- 1-1/2" wood screws
- 1-1/4" pocket screws
- 1-1/2" pocket screws
- Elmer's Wood Glue Max

Tools

- Stanley FatMax Tape Measure
- Kreg Jig
- Miter saw
- Table saw Hammer or nail gun
- Router
- Router table
- 1/4" diameter straight router bit
- Random orbit sander
- Countersink drill bit

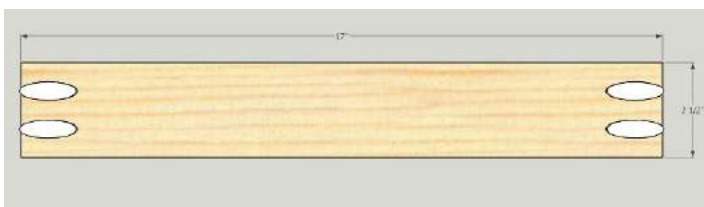
Step 1. Make the Legs. Cut 8 pieces of 5/4×3 to 33-1/2".



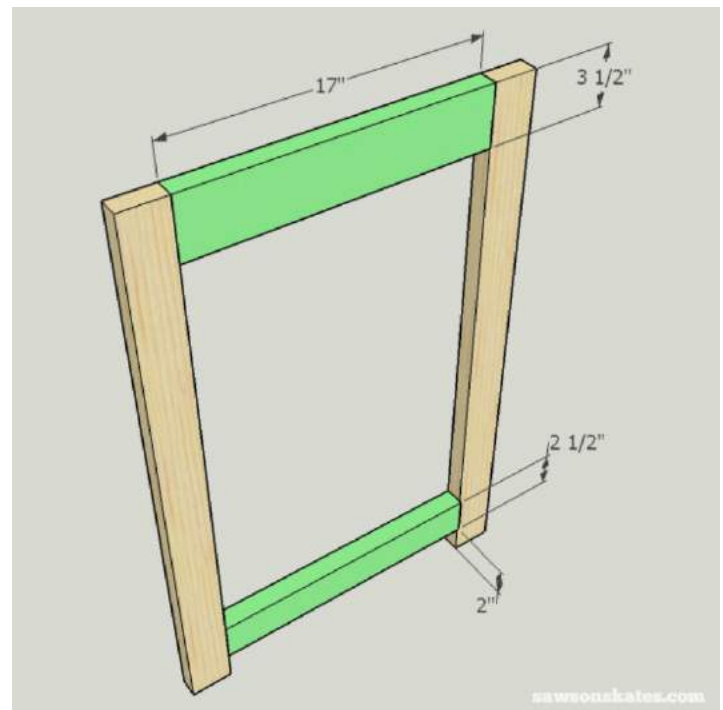
Step 2. Make the Side Top Rails. Cut 2 pieces of 5/4×4 to 17". Set your Kreg jig for 1-1/8" material and drill pocket holes in each.



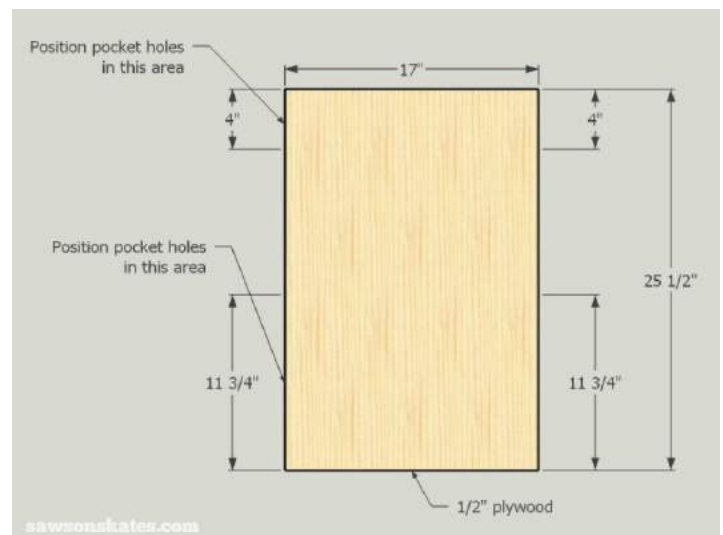
Step 3. Make the Side Bottom Rails. Cut 2 pieces of 1×3 to 17". Set your Kreg jig for 1-1/8" material and drill pocket holes in each.



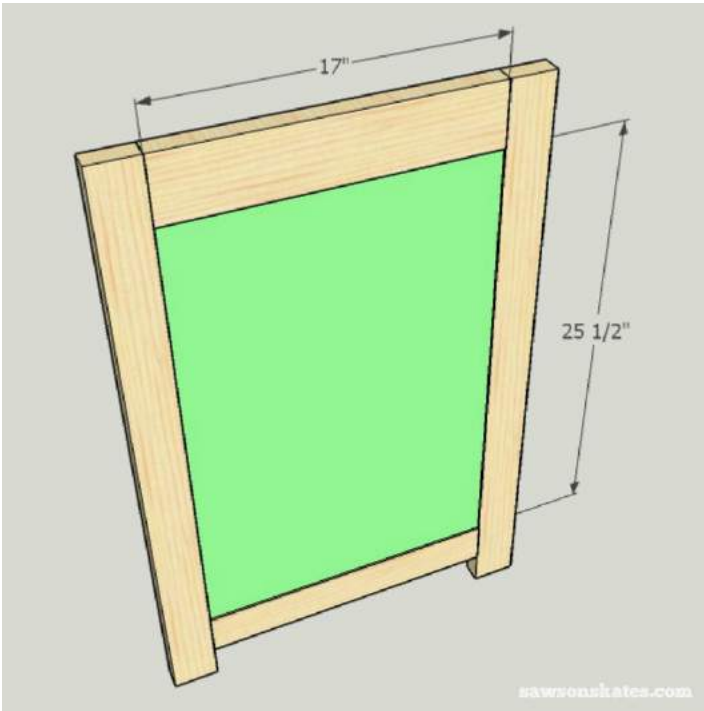
Step 4. Make the Side Assembly. Layout 2 of the legs, apply glue to the top rail and place at the top of the legs. Apply glue to the bottom rail and place 2" from the bottom of the legs. Clamp and attach using 1-1/2" pocket screws. Repeat for the other side assembly.



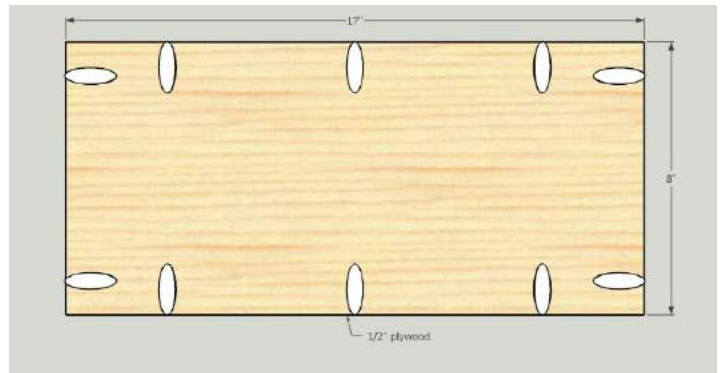
Cut 2 pieces of 1/2" plywood to 17" x 25-1/2". Set your Kreg jig for 1/2" material and drill pocket holes in the top and bottom. Then drill pocket holes in the sides any where from 4" from the top and 11-3/4" from the bottom. This will ensure pocket holes won't be seen in the wine glass area.



Attach the panel using 1" pocket screws. Repeat for the other side.

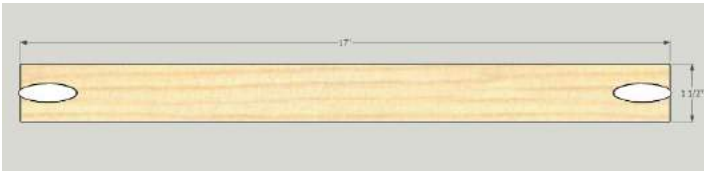


Step 7. Make the Middle Panels. Cut 2 pieces of 1/2" plywood to 17" x 8". Set your Kreg jig for 1/2" material and drill pocket holes around the edge.

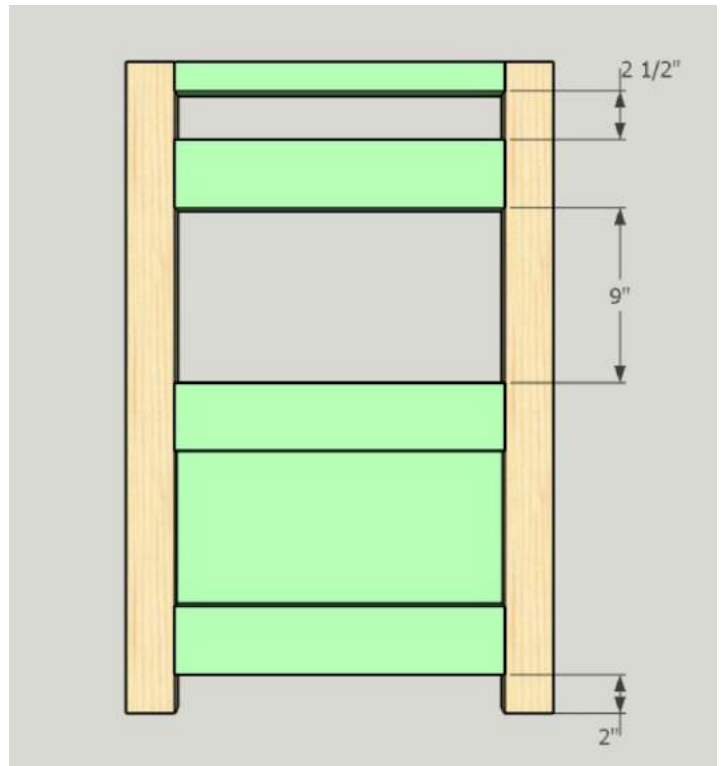
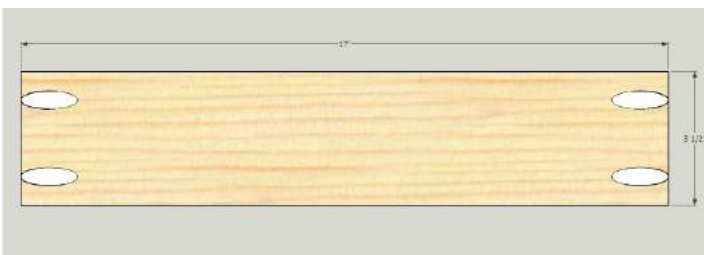


Step 8. Make the Middle Assembly. Apply glue to the top rail, lower rails, middle panel (the panel is flush with the outside of the legs) and clamp to legs. Attach rails using 1-1/2" pocket screws and attach panel using 1" pocket screws. Repeat for the other middle assembly.

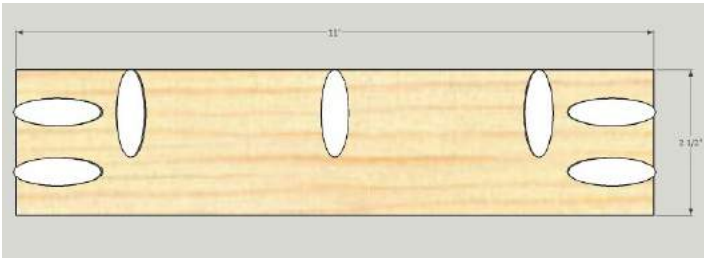
Step 5. Make the Middle Top Rails. Cut 2 pieces of 5/4x2 to 17". Set your Kreg jig for 1-1/8" material and drill pocket holes in each.



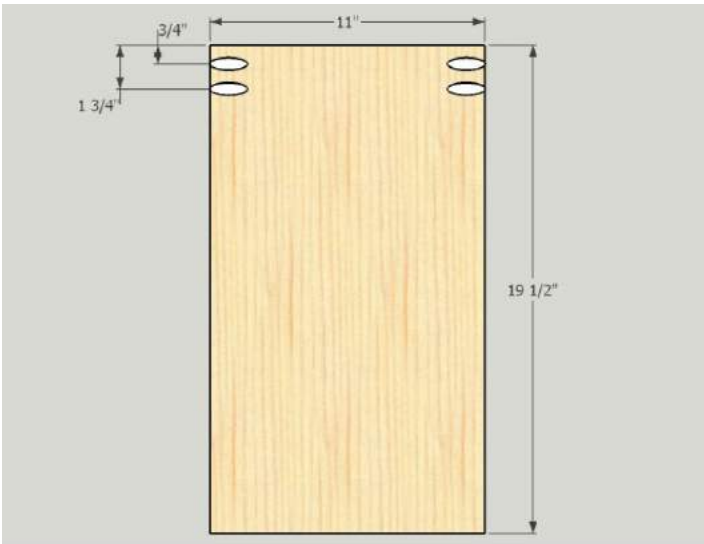
Step 6. Make the Lower Middle Rails. Cut 6 pieces of 5/4x4 to 17". Set your Kreg jig for 1-1/8" material and drill pocket holes in each.



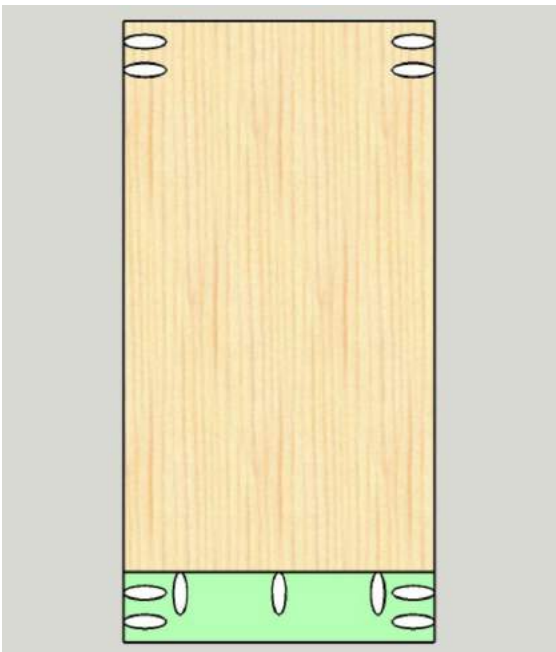
Step 9. Make the Side Shelves. Cut 6 pieces of 1×3 to 11". Drill pocket holes in each end and on one edge.



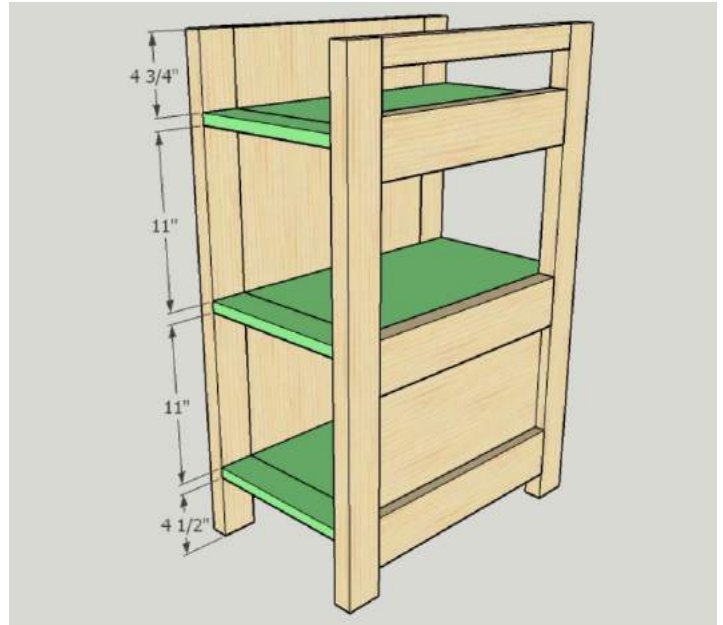
Cut 6 pieces of 3/4" plywood to 11" x 19-1/2". Drill pocket holes according to the diagram.



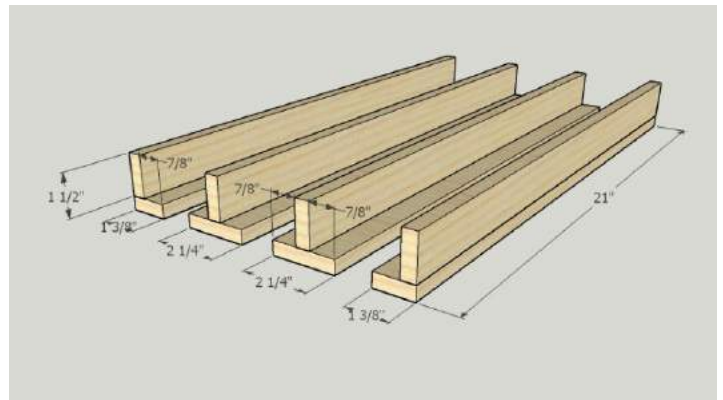
Apply glue to the shelf edge, clamp to the plywood and attach using 1-1/4" pocket screws. Repeat for remaining shelves.



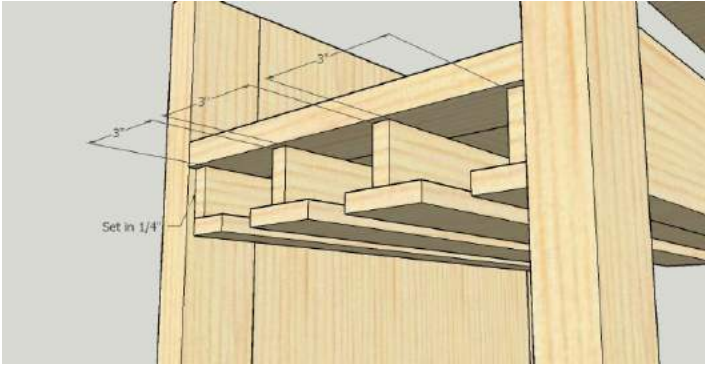
Step 10. Assemble the Side. Apply glue to shelves, clamp to the side assembly and middle assembly and attach using 1-1/4" pocket screws. Repeat for the other side.



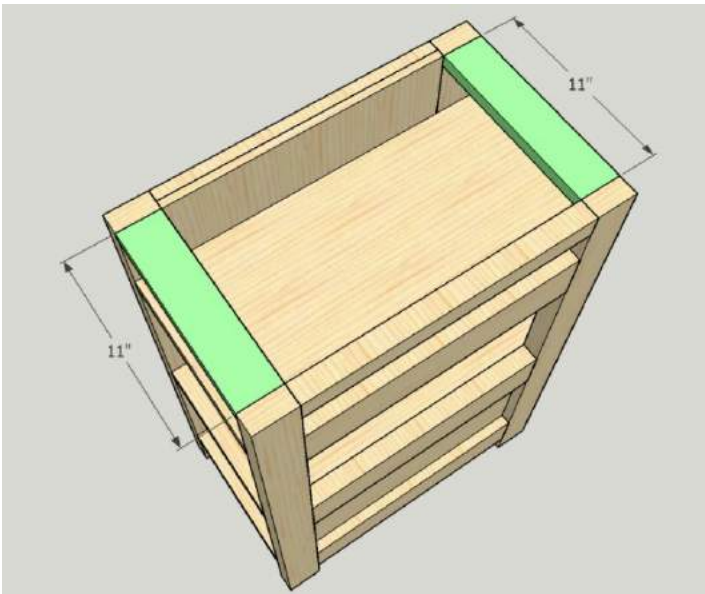
Step 11. Make the Stemware Holders. The stemware holders are made from 1/2" plywood. Rip parts to width and cut to length, assemble using glue and 1" brad nails. Make one set of stemware holders for each side.



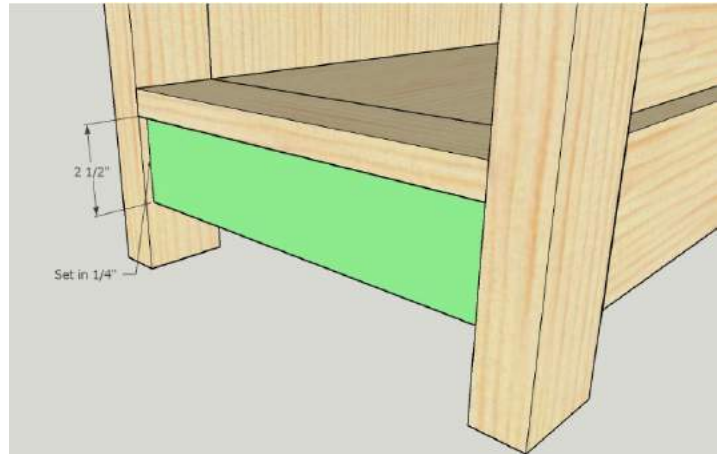
Step 12. Attach the Stemware Holders. Apply glue to the stemware holders, place under the top shelf and attach from the top using 1-1/4" nails. The stemware holders set in 1/4" from the front legs and 3/4" from the back legs. Cut a piece of scrap wood to 3" to use a spacer to properly align the holders.



Step 13. Make and Attach the Top Supports. Cut 4 pieces of 1x3 to 11" and drill pocket holes in each end. Apply glue to the ends of the top supports, set the flush with the legs and attach using 1-1/4" pocket screws. Repeat for the other side.

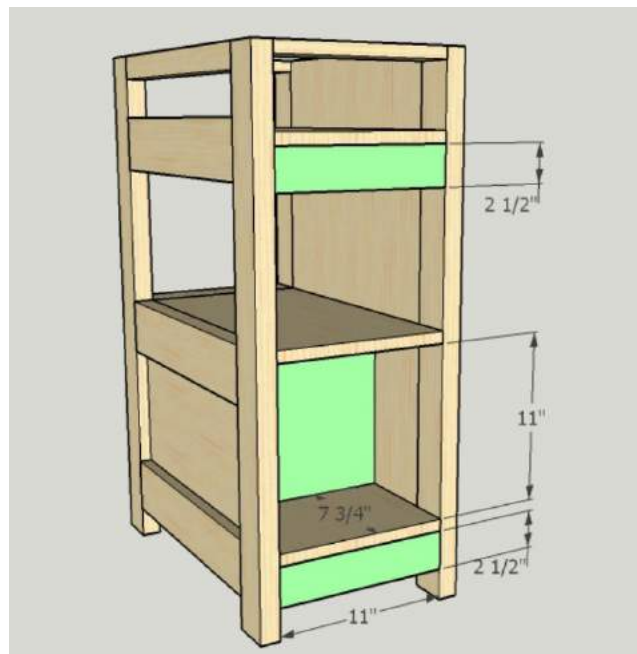


Step 14. Make and Attach the Bottom Rails. Cut 2 pieces of 1x3 to 11" and drill pocket holes in each end. Apply glue to the ends of the rail, set the front rail 1/4" from the front and attach using 1-1/4" pocket screws. Repeat for the other side.



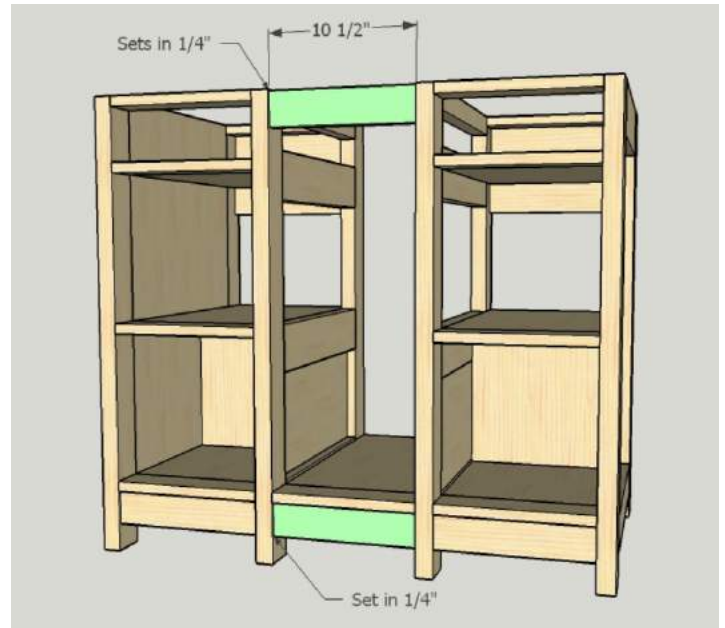
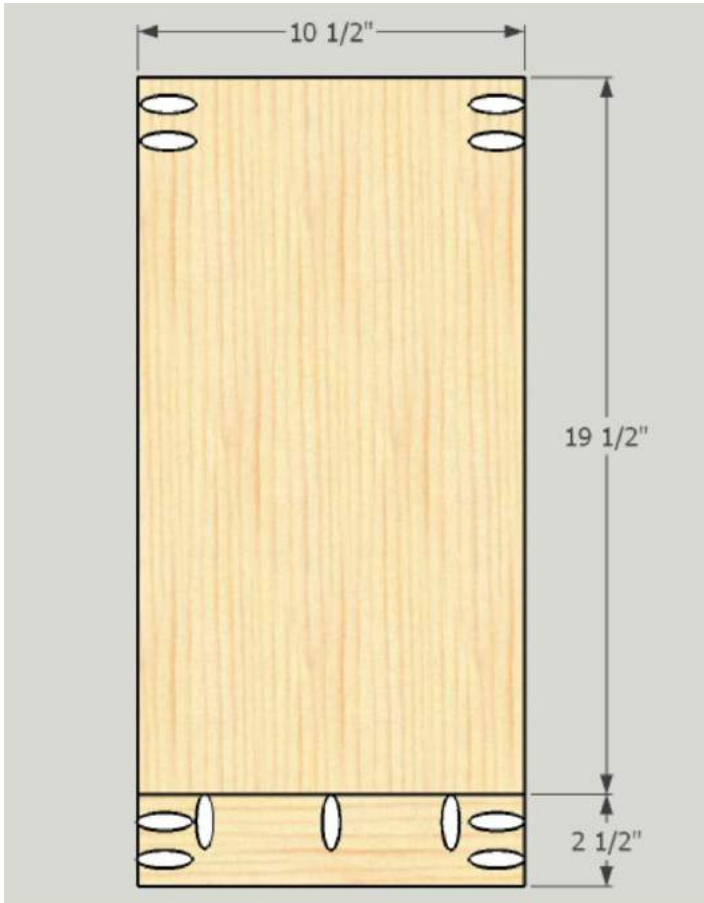
Step 15. Make and Attach the Back Components. Cut 4 pieces of 1x3 to 11" and drill pocket holes in each end. Apply glue to the ends, place one at the back of the stemware holders and one below the bottom shelf. Attach using 1-1/4" pocket screws. Repeat for the other side.

Cut 2 pieces of 1/2" plywood to 11" x 11". Set your Kreg jig for 1/2" material and drill pocket holes around the edges. Place in the wine bottle opening and set 7-3/4" in from the back. Attach using 1" pocket screws.

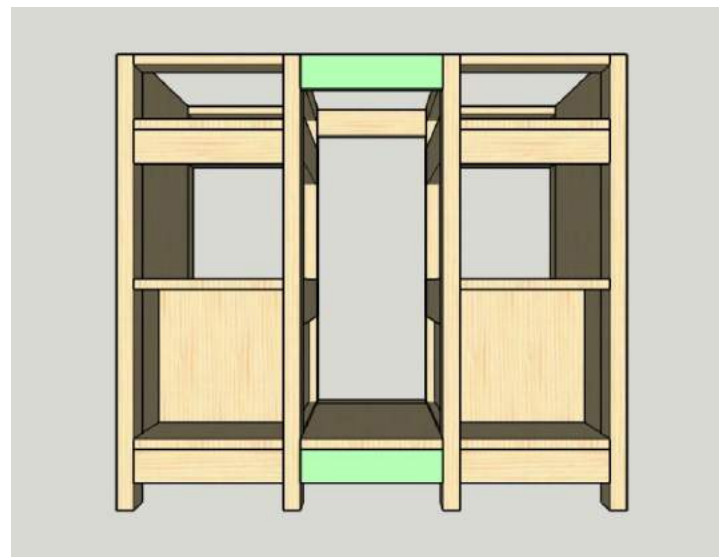


Step 16. Make the Middle Shelf. Cut 1 piece of 1×3 to 10-1/2" and drill pocket holes. Cut 1 piece of 3/4" plywood to 10-1/2" x 19-1/2" and drill pocket holes. Apply glue to the shelf edge, clamp to the plywood and attach using 1-1/4" pocket screws.

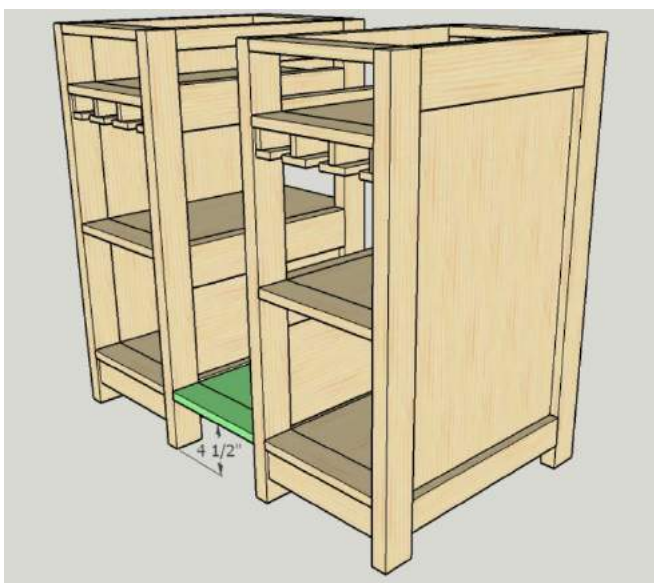
Cut 4 pieces of 1×3 to 10-1/2" and drill pocket holes in each end. Apply glue to the ends, set in 1/4" from the front and attach using 1-1/4" pocket screws.



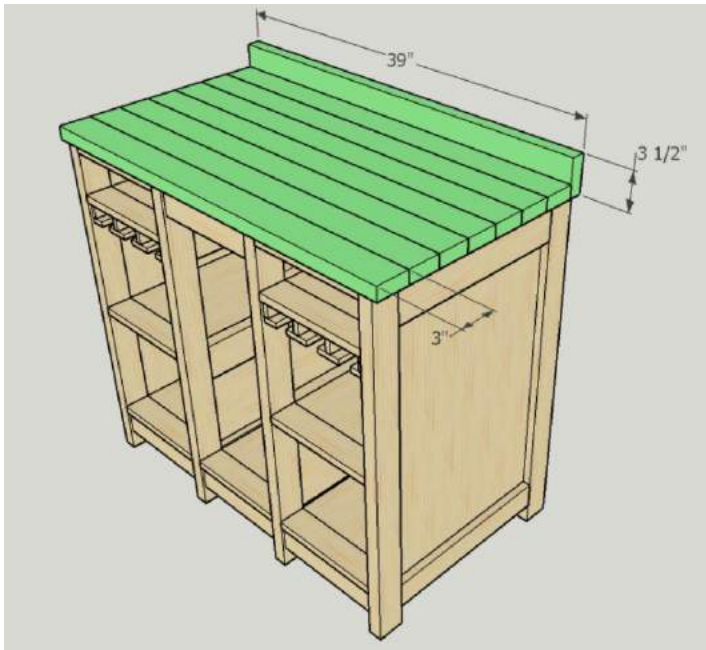
Apply glue to the ends of the remaining rails, set flush with the back legs and attach using 1-1/4" pocket screws.



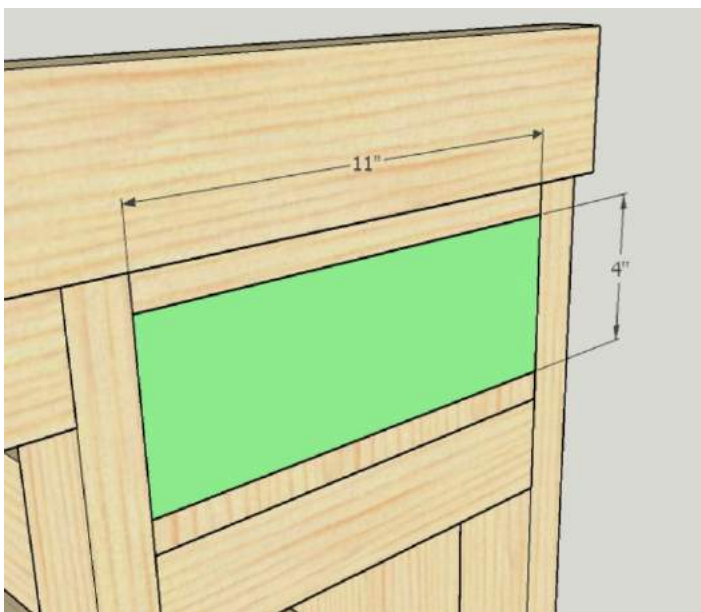
Step 17. Attach Sides to Middle. Apply glue to the middle shelf, set 4-1/2" from the bottom, clamp and attach using 1-1/4" pocket screws.



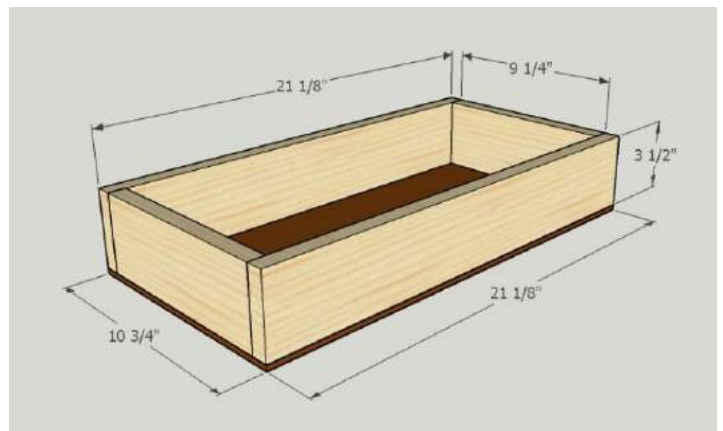
Step 18. Make and Install the Top. Cut 8 pieces of 5/4 1×4 to 39" and rip 7 of the pieces to 3". Drill pocket holes in the edges of the 3" pieces, apply glue, clamp and attach using 1-1/2" pocket screws. Apply glue to the back, place the 3-1/2" piece and clamp. Drill countersink holes and attach using 2" wood screws. Attach the top to the top supports using 1-1/2" wood screws.



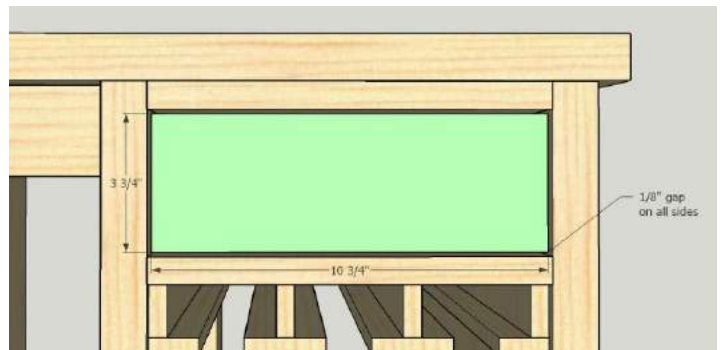
Cut 2 pieces of 1/2" plywood to 11" x 4". Set your Kreg jig for 1/2" material and drill pocket holes on the ends. Apply glue, place in the drawer opening and attach using 1" pocket screws. Repeat for the other side.



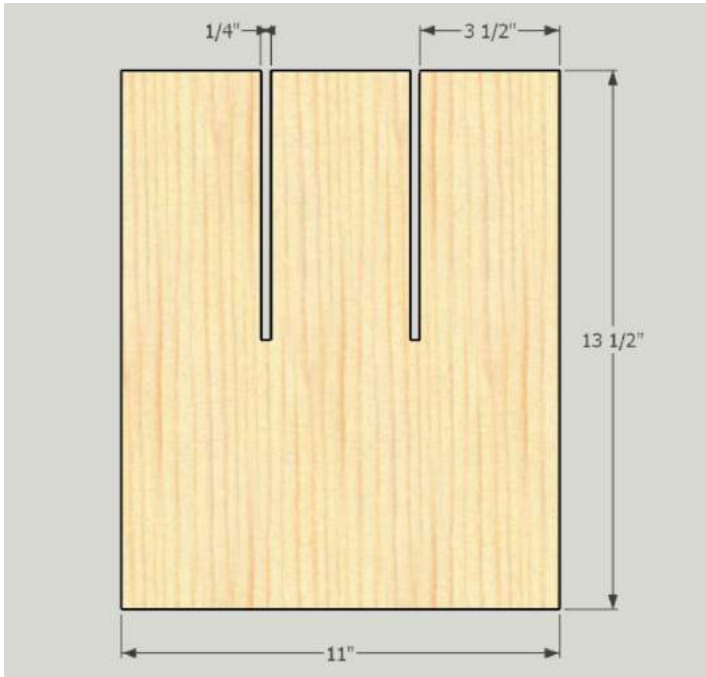
Step 19. Make the Drawers. Measure the drawer opening before cutting any drawer parts. Allow 1/8" on the right and left side of the drawer, so it will move freely. Adjust the dimensions of the drawer if necessary. Cut 4 side pieces from 1×4 to 21-1/8". Cut 4 front/back pieces from 1×4 to 9-1/4" and drill pocket holes in each end. Apply glue to the front and back pieces, clamp to the sides and attach using 1-1/4" pocket hole screws. Cut the bottom from 1/8" hardboard to 10-3/4" x 21-1/8". Apply glue to the bottom of the drawer box, place the bottom on the drawer and attach using 1" brad nails. Repeat for the other drawer.



Step 20. Make and Install the Drawer Fronts. Cut the drawer front from 1×5 (be sure to allow 1/8" on each side of the drawer front). Slide the drawer box into the opening and shim the drawer front so it's evenly spaced in the opening (coins like quarters, nickles, etc. make great shims!). Drill a hole for the knob, remove drawer front, drawer box and install the knob. Reinstall the drawer and adjust spacing around drawer front then tighten the knob screw. From inside the box use two 1-1/4" wood screws to secure the drawer front to the drawer box.



Step 21. Make and Install the Bottle Dividers. The four pieces that make up the bottle dividers are 1/4" plywood and are identical. The easiest way to make them is with a router table and a 1/4" straight cutting bit. Set the fence for 3-1/2" and make a pass to the halfway point, then flip and make a second pass. Repeat for the remaining dividers.



Step 22. Sand, Stain and Finish. Sand with 120 grit sandpaper. This piece would look great with a dark chocolate stain and topped with this DIY finish.



Once cuts are made on all four pieces, assemble (it will be a snug fit, so glue isn't needed) and install in the bottle divider area. Repeat for the other bottle divider.

